

door innovation

PVC SCREENS

PVC



PVC SCREENS & DOORS (PVC)

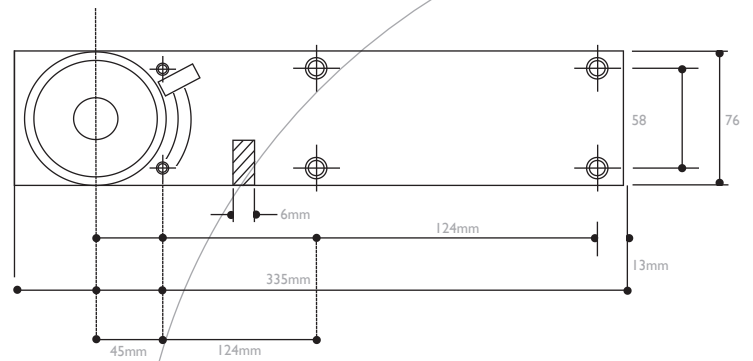
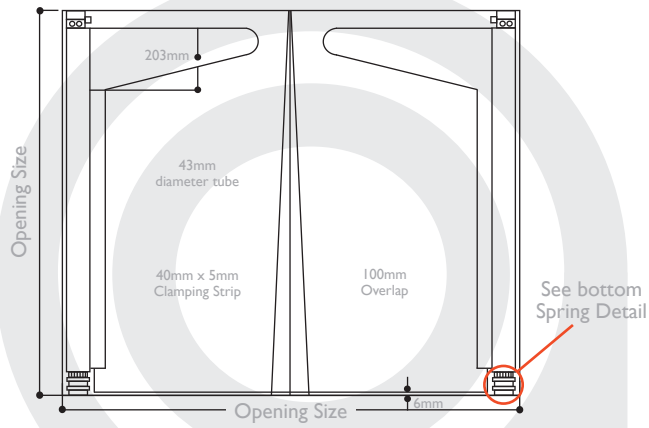
TYPICAL USES: COLD STORES, WELDING BOOTHS, DOORWAYS

Flexible PVC Strip Curtains or Crash Doors provide the most practical and economical solution to heat and noise pollution in the workplace. The most common benefits are reducing heat loss, workplace safety helping to exclude birds and vermin. Also available in polar grade for low temperatures and cold rooms. Available in clear PVC or various colours.

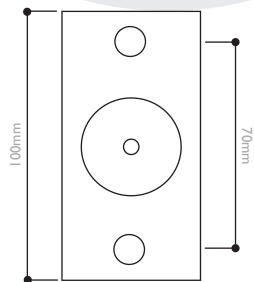


PVC CRASH DOORS

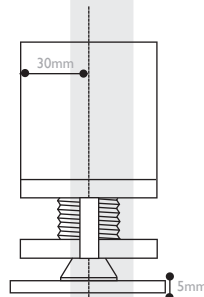
STANDARD TOP FIXING PLATE



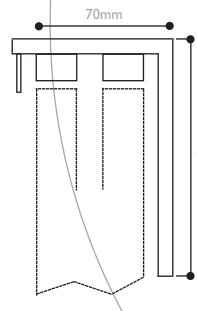
EXTRA DETAILS



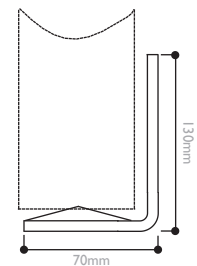
STANDARD CONE PLATE



BOTTOM SPRING



TOP JAMB BRACKET



BOTTOM JAMB BRACKET

PVC SCREENS & DOORS (PVC)

PVC CRASH DOORS FRAME

The framework is manufactured from 43mm O/D (32mm I/D) heavy wall steam tube with a 5mm horizontal triangular shaped mild steel gusset plate of varying size (according to width of door). A separate clamping strip is used to clamp the flexible pandelin position, and is held in place with special mild steel rivets and collars. An adjustable bearing is fitted to the bottom of the vertical tube to locate onto a hardened steel cone secured to the floor.

PVC CRASH DOORS SPRING UNIT

The double action spring unit is concealed within the top of the vertical tube. The coil is of a high quality spring steel, and is held between the best malleable iron bearings on a 19mm diameter mild steel spindle. The spindle is welded to a mild steel plate 200mm x 51mm x 6mm for fixing to the lintel. The tension of the coil can be adjusted to suit on site conditions, without being overstressed. One unit is fitted to each floor leaf. Constructed from 75mm wide curved interlocking galvanised steel lath with mild steel endlocks and galvanised steel bottom rail.

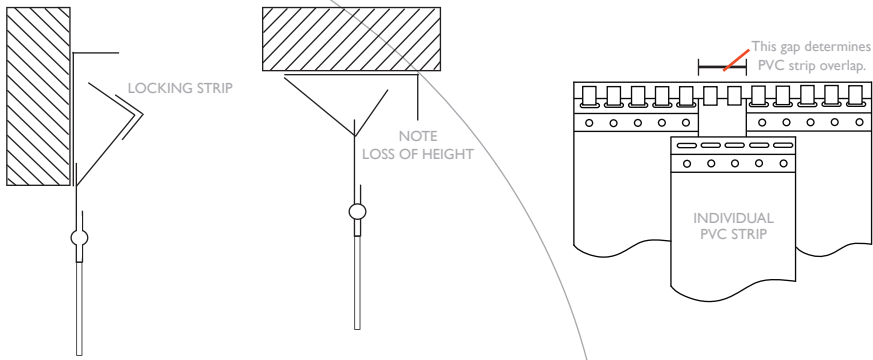
PVC STRIP CURTAINS INFO

A glass-clear, ultra-violet stabilised and abrasive resistant PVC material, extruded with round edges to reduce the possibility of injury to pedestrians. The material is flexible, tear resistant and flame retardant, (complies with BS 476 part 7).

- Arctic quality for cold stores and chilled room applications.
- Orange standard quality width markers for aperture definition.
- Buffer quality for extra resistance to the constant buffeting by heavy loads or forklift trucks.
- Transparent Green allows through access and vision but safety inhibits welding flash.

door innovation

PVC STRIP CURTAINS / RAIL HANGING SYSTEMS



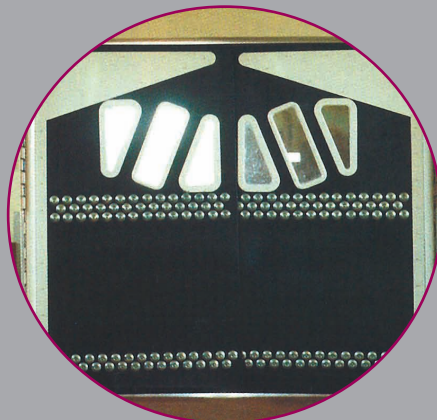
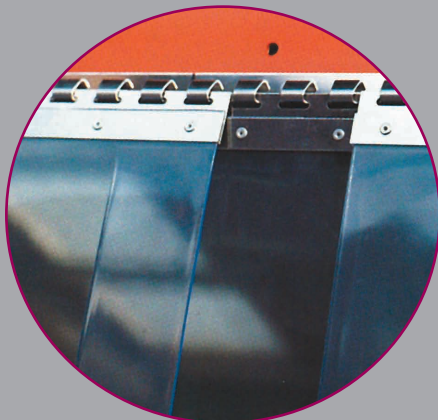
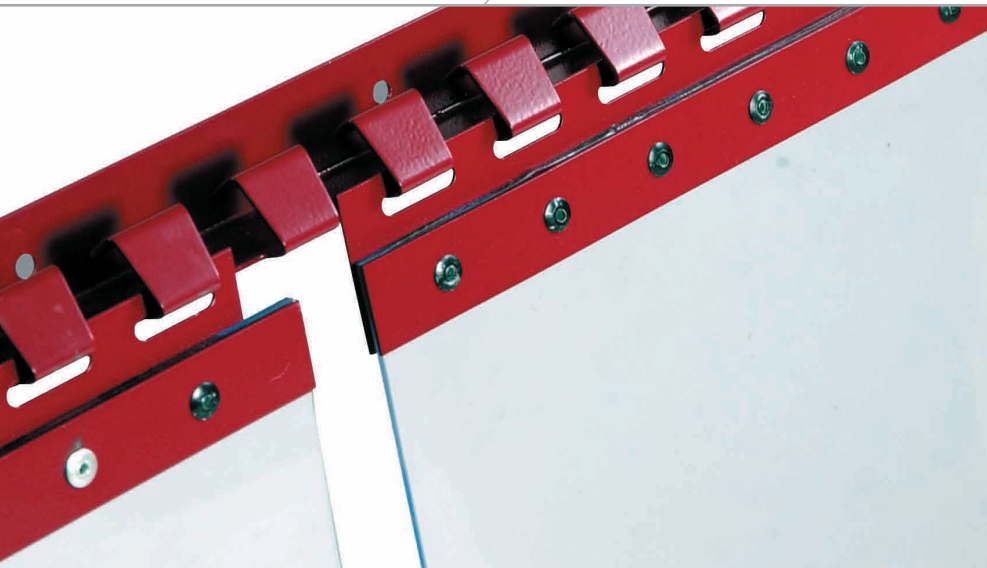
PVC STRIP CURTAIN SIZE RANGES

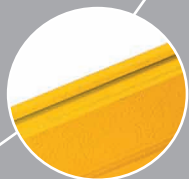
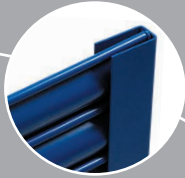
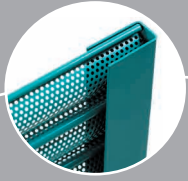
200mm	MAXIMUM 128	200mm	MINIMUM 46
300mm	192	300mm	28
400mm	174	400mm	10

Sizes Available: 400mm wide x 4mm or 3mm thick, 300mm wide x 3mm or 2mm thick, 200mm wide x 2.5mm thick.



shutters and doors





- COMMERCIAL ROLLER SHUTTERS
- INDUSTRIAL ROLLER SHUTTERS
- FIRE ROLLER SHUTTERS
- ALUMINIUM ROLLER SHUTTERS
- HINGED SECURITY DOORS
- INSULATED SECTIONAL DOOR
- INDUSTRIAL INSULATED DOORS
- GARAGE ROLLER DOORS

ADDITIONAL PRODUCTS



BL SHUTTERS LTD
Carn Road, Carn Industrial Area, Portadown, Co. Armagh, BT63 5WG
T : 028 3833 3551 F : 028 3835 0204
E : sales@blshutters.co.uk
www.blshutters.co.uk

